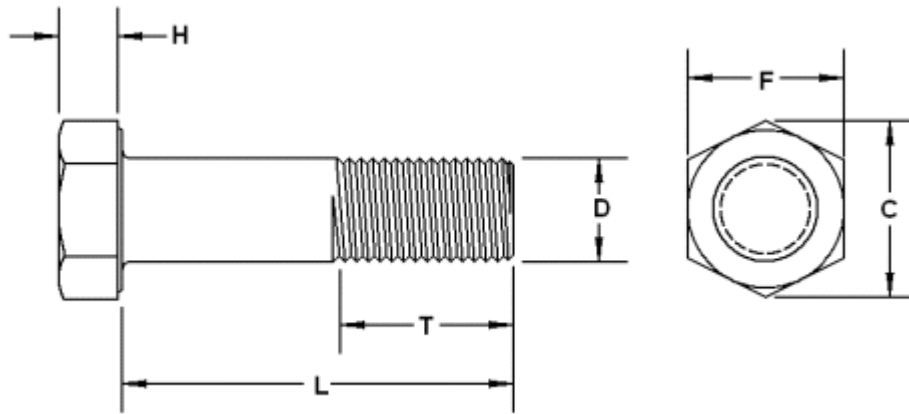


Structural Bolts

A325 & A490



ASTM A325
ASTM A490

Plain = HHC325----00D Galv = HHC325----GD
Plain = HHC490----00D

Zinc = HHC325----Z1D

Bolt Dia	D		F			C		H			T
	Body Diameter		Width Across Flats			Width Across Corners		Height			Thread Length
	Max	Min	Basic	Max	Min	Max	Min	Basic	Max	Min	Basic
1/2	0.515	0.482	7/8	0.875	0.850	1.010	0.969	5/16	0.323	0.302	1.00
5/8	0.642	0.605	1-1/16	1.062	1.031	1.227	1.175	25/64	0.403	0.378	1.25
3/4	0.768	0.729	1-1/4	1.250	1.212	1.443	1.383	15/32	0.483	0.455	1.38
7/8	0.895	0.852	1-7/16	1.438	1.394	1.660	1.589	35/64	0.563	0.531	1.50
1	1.022	0.976	1-5/8	1.625	1.575	1.876	1.796	39/64	0.627	0.591	1.75
1-1/8	1.149	1.098	1-13/16	1.812	1.756	2.093	2.002	11/16	0.718	0.658	2.00
1-1/4	1.277	1.223	2	2.00	1.938	2.309	2.209	25/32	0.813	0.749	2.00
1-3/8	1.404	1.345	2-3/16	2.188	2.119	2.526	2.416	27/32	0.878	0.810	2.25
1-1/2	1.531	1.470	2-3/8	2.375	2.300	2.742	2.622	15/16	0.974	0.902	2.25

Dimensional specifications per ASME B18.2.1